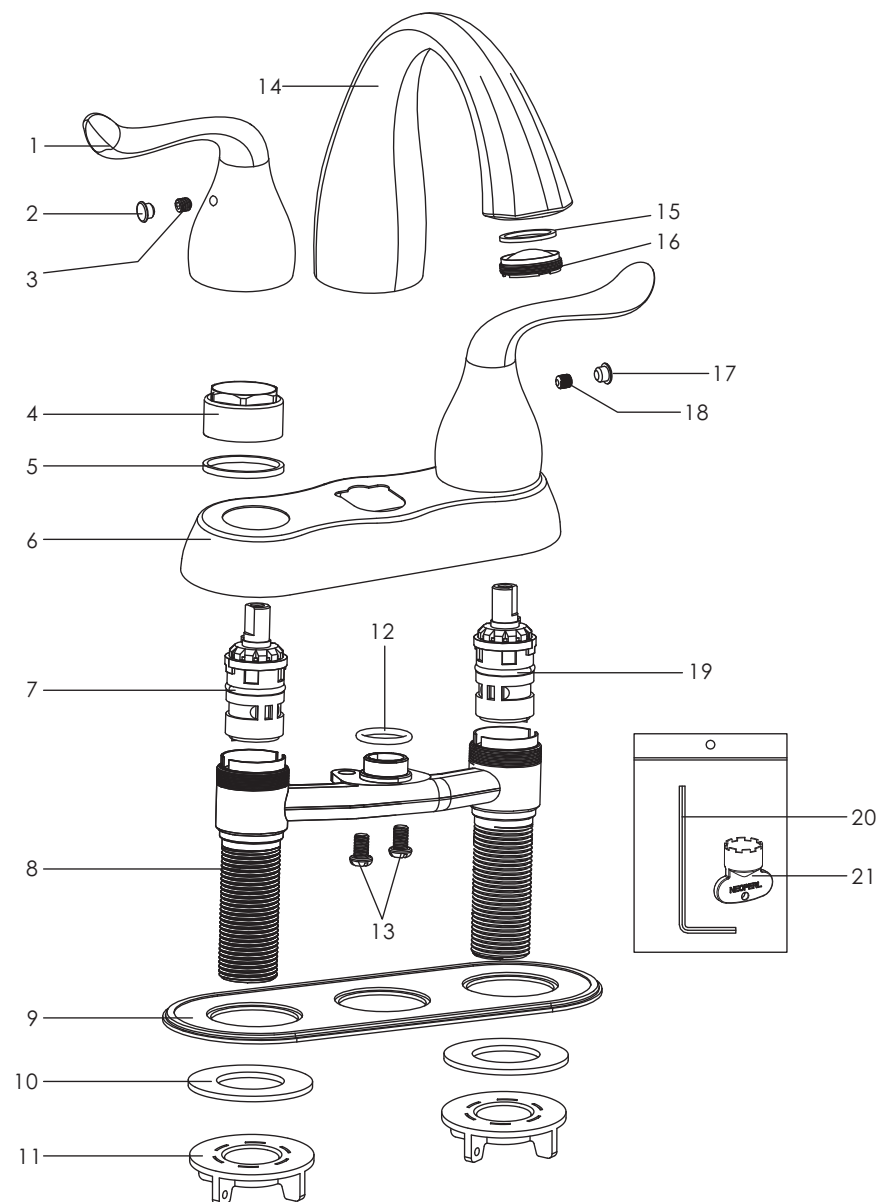


Step 3 Cleaning and care

Daily cleaning and care are required in order to keep the product shining and properly working.

- 1 Clean it with water and dry it with soft cloth.
- 2 Clean the product with gentle liquid or glass cleaner.
- 3 Don't use acid cleaner.
- 4 Don't clean with abrasive material, abrasive paper or knife.

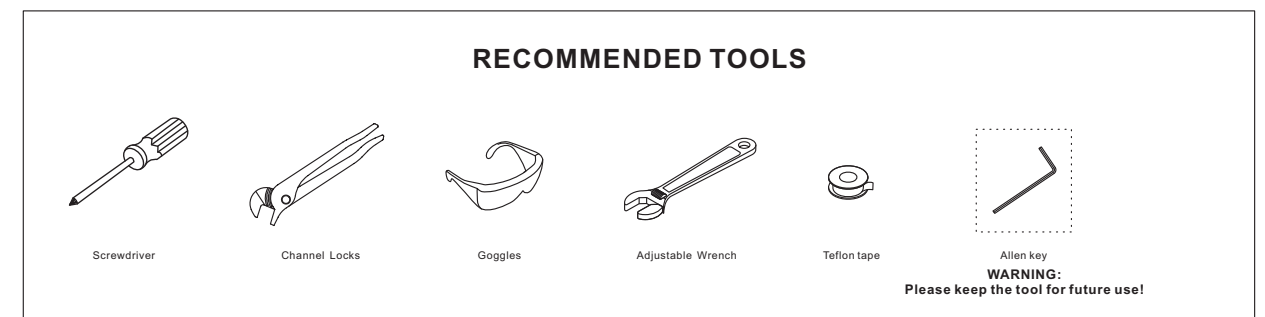
Step 4 Parts list



NO.	PART NAME
1	Handle
2	Index
3	Screw
4	Lock nut
5	Washer
6	Plate
7	Cartridge(hot water)
8	Shank
9	Gasket
10	Washer
11	Lock nut
12	O-ring
13	Screw
14	Spout
15	Aerator washer
16	Aerator
17	Index
18	Screw
19	Cartridge(cold water)
20	Allen key
21	Aerator wrench

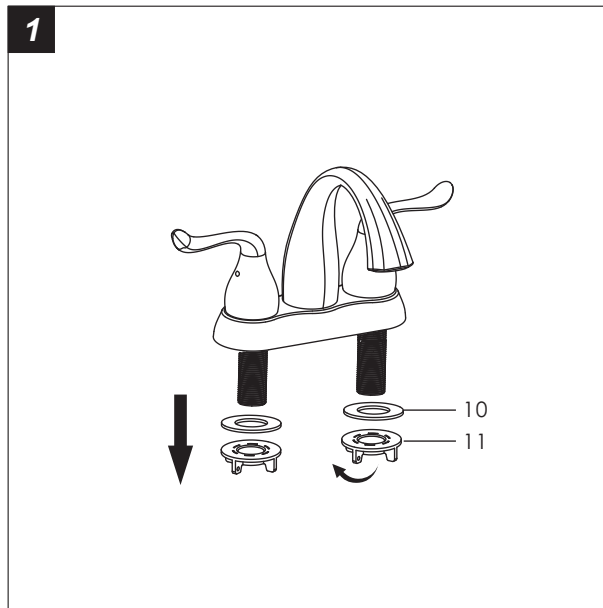


TWO HANDLE WASHBASIN MIXER

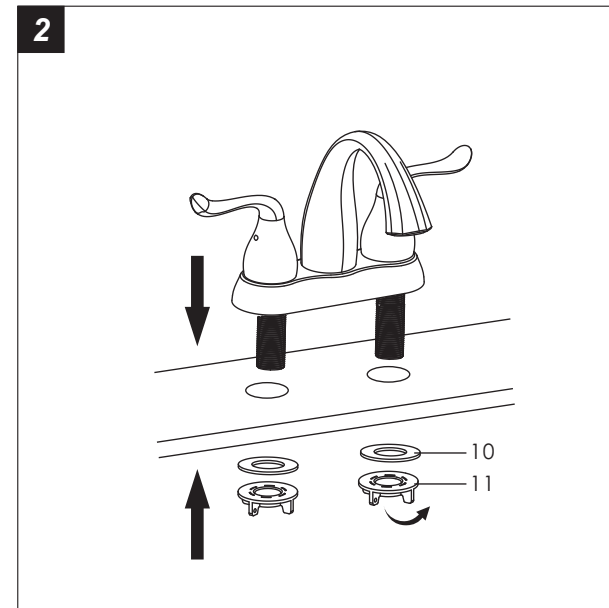


- Attention:
for easy installation, you will need:
- 1.To read all the installation instruction completely before beginning.
 - 2.To read all the warning, attention and maitenance information.
 - 3.To purchase the proper supply lines.

Step 1 Faucet installation

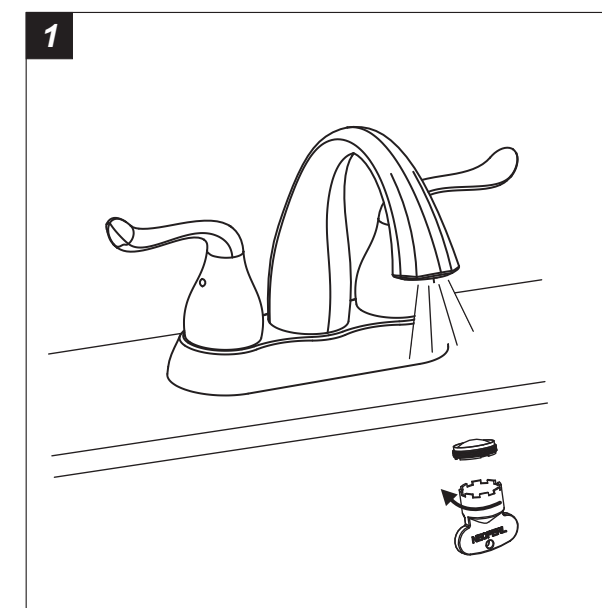


Unscrew lock nuts #11 and washers #10 from underneath.

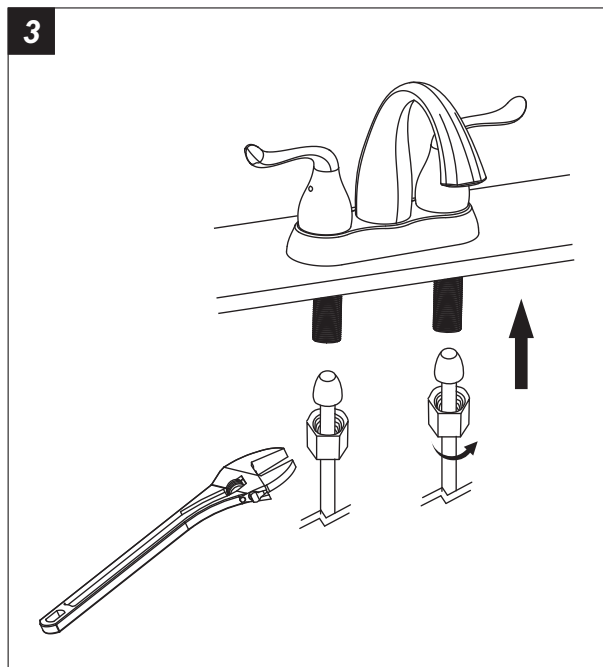


Install faucet through the hole. Hand tighten washers #10 and lock nuts #11 from underneath, then tighten but do not over tighten.

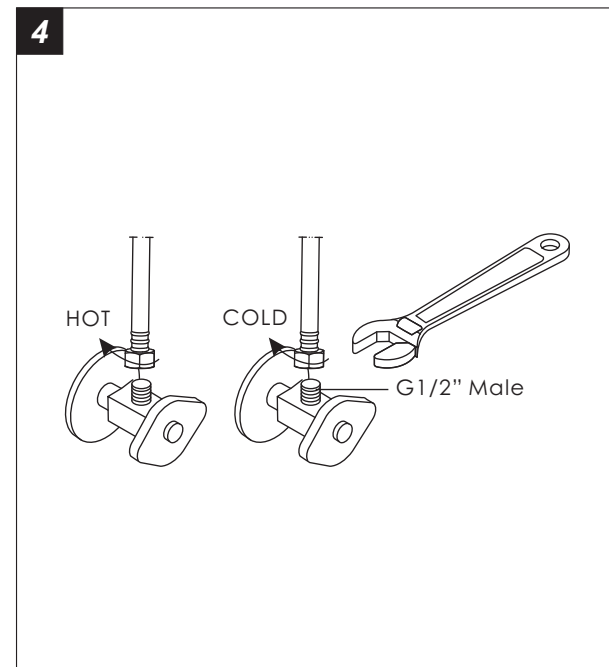
Step 2 Checking



Remove the aerator by aerator wrench. Turn the faucet handle all the way on, turn on hot and cold water supply and flush water lines for one minute. Reinstall aerator by aerator wrench.



Connect the braided supply lines to shank, and tighten it with adjustable wrench.
DON'T OVER TIGHTEN!



Connect the braided supply lines to water supply valve (not included), and tighten it with adjustable wrench. **DON'T OVER TIGHTEN!**
Caution: make sure connect the hot and cold supply lines to supply valves correctly.
Warning:
The supply valves are not included, please purchase them in plumbshop.